

240 V Figure 4

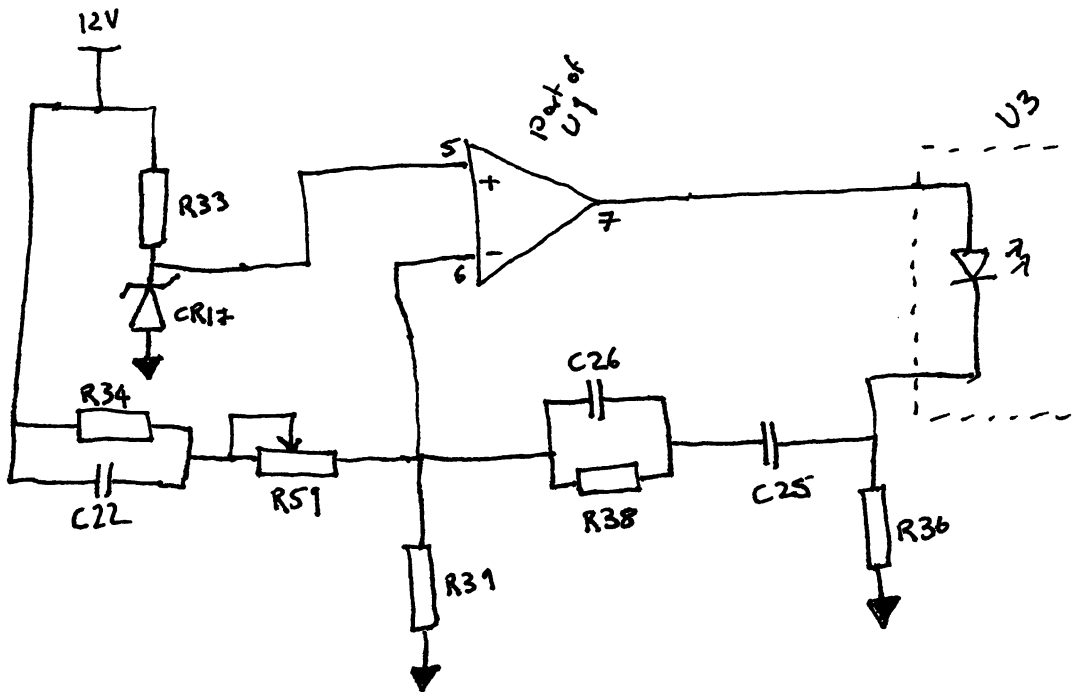
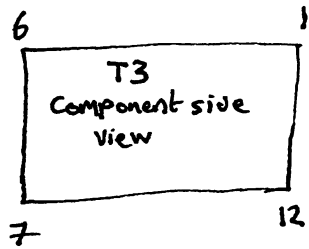
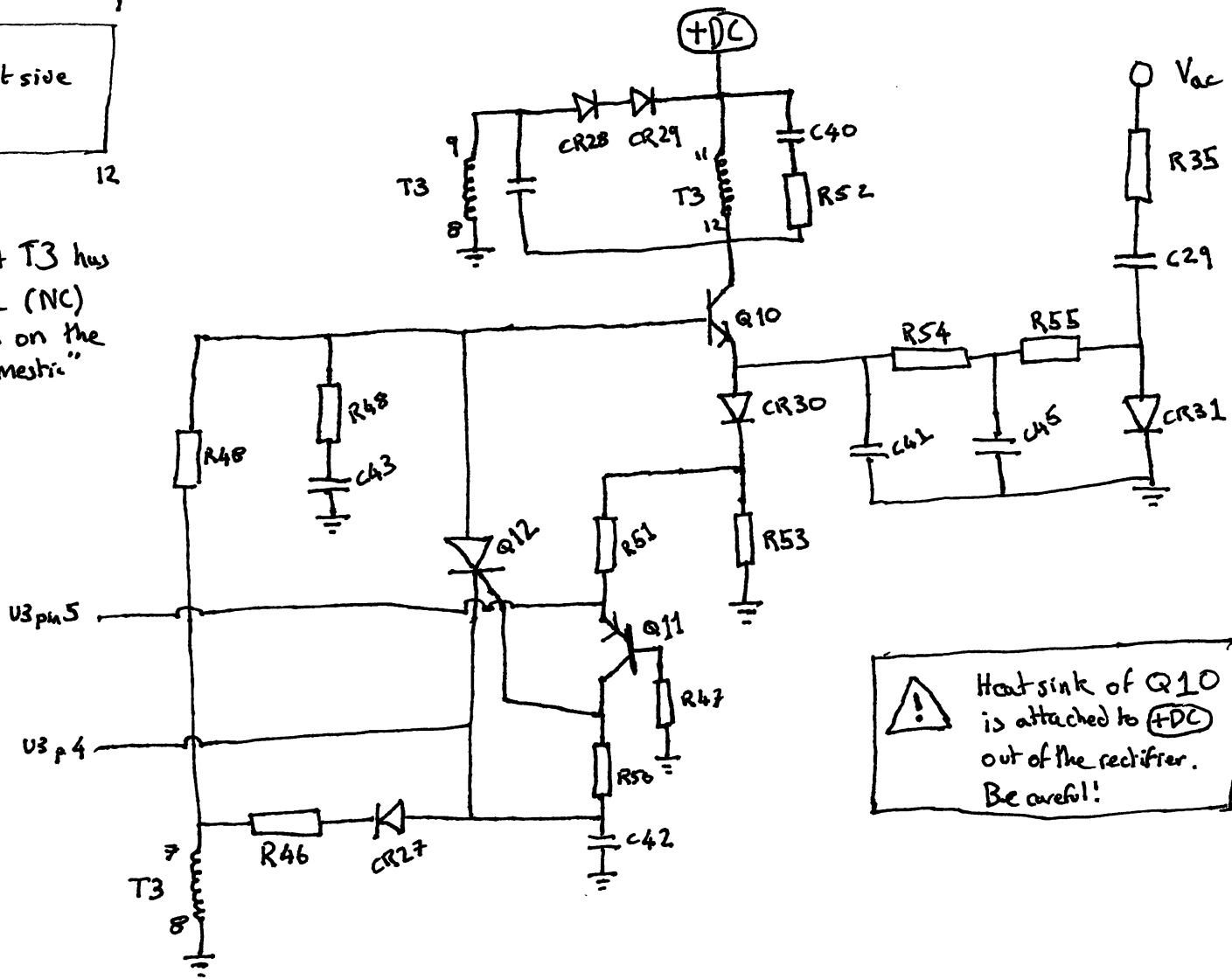


Figure 5



Note that T3 has two more (NC) pins than on the 120V "domestic" PSU.




 Heat sink of Q10 is attached to +DC out of the rectifier. Be careful!

Figure 6

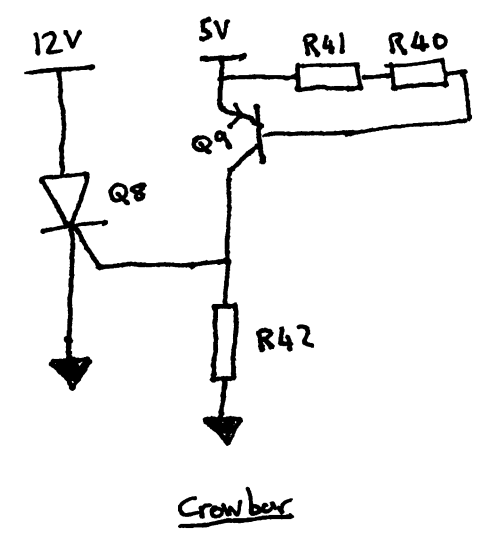
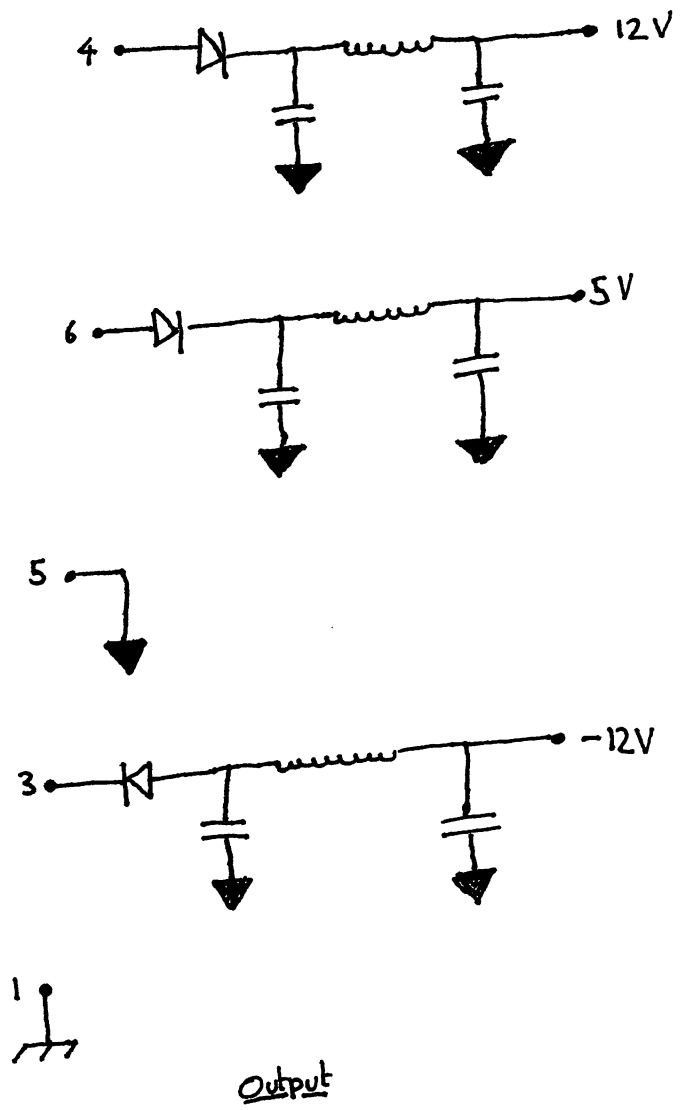


Figure 7